

# PEFS Series Firefighter Safety Switch



**PROJOY**  
electric  
- Switch To Safety! -



## High Craftsmanship AND High Standards



Small volume



Flame retardant material



Anti-UV



Outdoor installation IP65



Easy to install



Service life 25 years



High reliability



OV output physical isolation

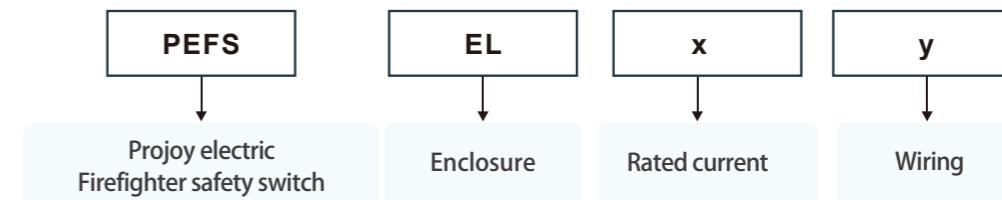


Multiple shutdown methods over temperature/loss of pressure /emergency shutdown

**PROJOY**  
electric

- Switch To Safety! -

## Select Code



Models: PEFS-ELx-y. Rated current: x=16/25/32/40/55/40H/50H, Wiring types: y=2/2H/4S/4T/4B/4



Unit with knock outs, M12



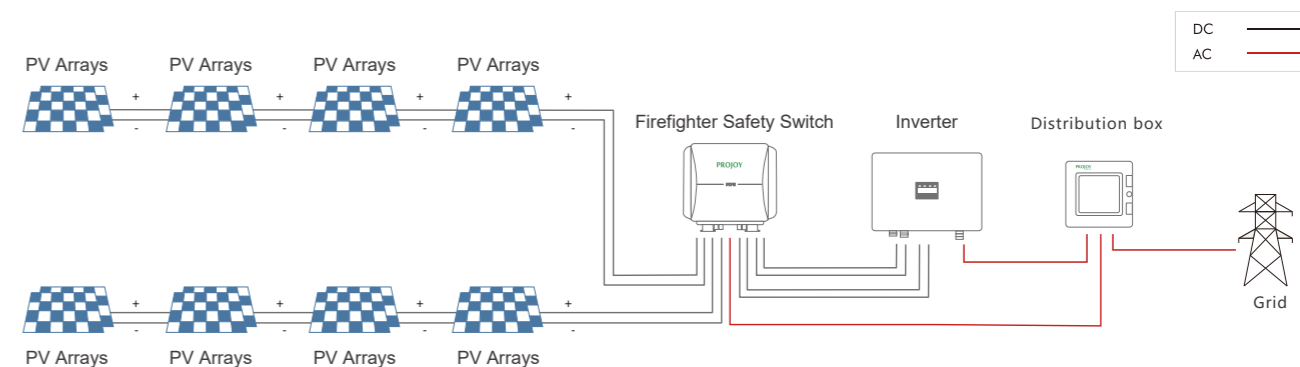
Unit with cable glands, M12



Unit with MC4 connectors

When the current is greater than 40A, please select cable glands or knockouts.

## Diagram



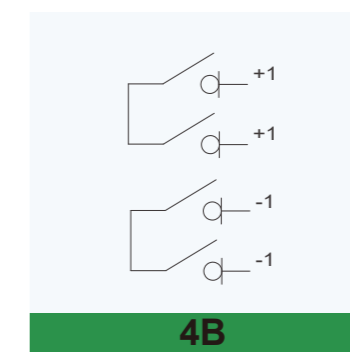
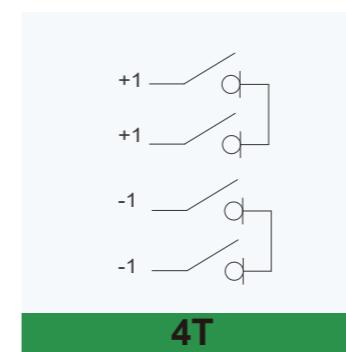
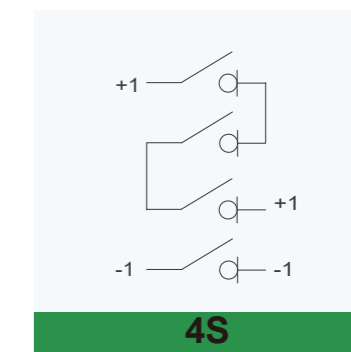
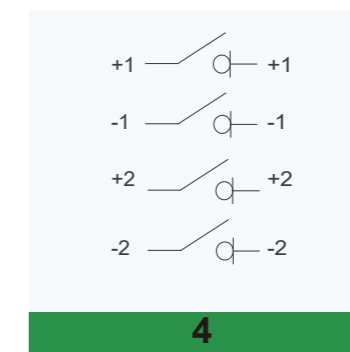
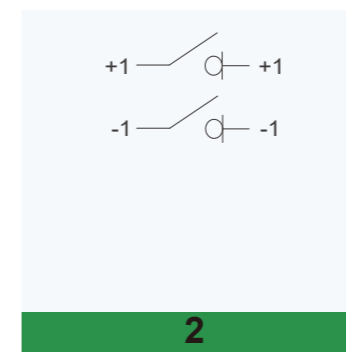
## Technical data

Technical Parameter	
<b>Main Parameters</b>	<b>PEFS</b>
String voltages (Vdc)	300~1500
String current (A)	9~55
Number of strings	1/2
Switch wiring	2/2H/4S/4T/4B/4
Operating voltage	100Vac - 270Vac
Nominal voltage	230Vac
Nominal current	30mA
Start up (loading) current	average 100mA
Switch on action current	max 300mA
Feedback contact	24Vdc - 300mA max
Operating temperature range	-20° C - +50° C
Max. operating temperature before automatic switch off	+70° C
Storage temperature range	-40° C - +85° C
Protection degree	IP66
Protection level	Class II
Certification	CE
DC Switch disconnect according to	EN 60947-1&3
Number of operations	10000
Number of operations under load (PV1)	>1500

## Technical data

Data of PEFS refer to built-in DC isolators. Data according to IEC60947-3(ed.3.2):2015, UL508i. Utilization category DC-PV1.								Poles	No. of Strings	Part Number
300V	600V	700V	800V	900V	1000V	1200V	1500V			
16	16	16	16	13	9	6	3	2/4	1/2	PEFS-EL16-2/4
25	25	23	22	16	11	8	4	2/4	1/2	PEFS-EL25-2/4
32	32	27	26	20	13	10	5	2/4	1/2	PEFS-EL32-2/4
40	40	35	30	25	20	10	6	2/4	1/2	PEFS-EL40-2/4
55	55	55	45	35	25	15	8	2/4	1/2	PEFS-EL55-2/4
16	16	16	16	16	16	16	16	4	1	PEFS-EL16-4S/4T/4B
25	25	25	25	25	25	25	20	4	1	PEFS-EL25-4S/4T/4B
32	32	32	32	32	32	32	23	4	1	PEFS-EL32-4S/4T/4B
40	40	40	40	40	40	40	30	4	1	PEFS-EL40-4S/4T/4B
55	55	55	55	55	55	55	40	4	1	PEFS-EL55-4S/4T/4B
50	50	50	50	50	50	40	30	2/4	1/2	PEFS-EL50H-2/4
40	40	40	40	40	40	30	20	2/4	1/2	PEFS-EL40H-2/4
50	50	50	50	50	50	50	50	4	1	PEFS-EL50H-4S/4B/4T
40	40	40	40	40	40	40	40	4	1	PEFS-EL40H-4S/4B/4T

## Contact Configuration

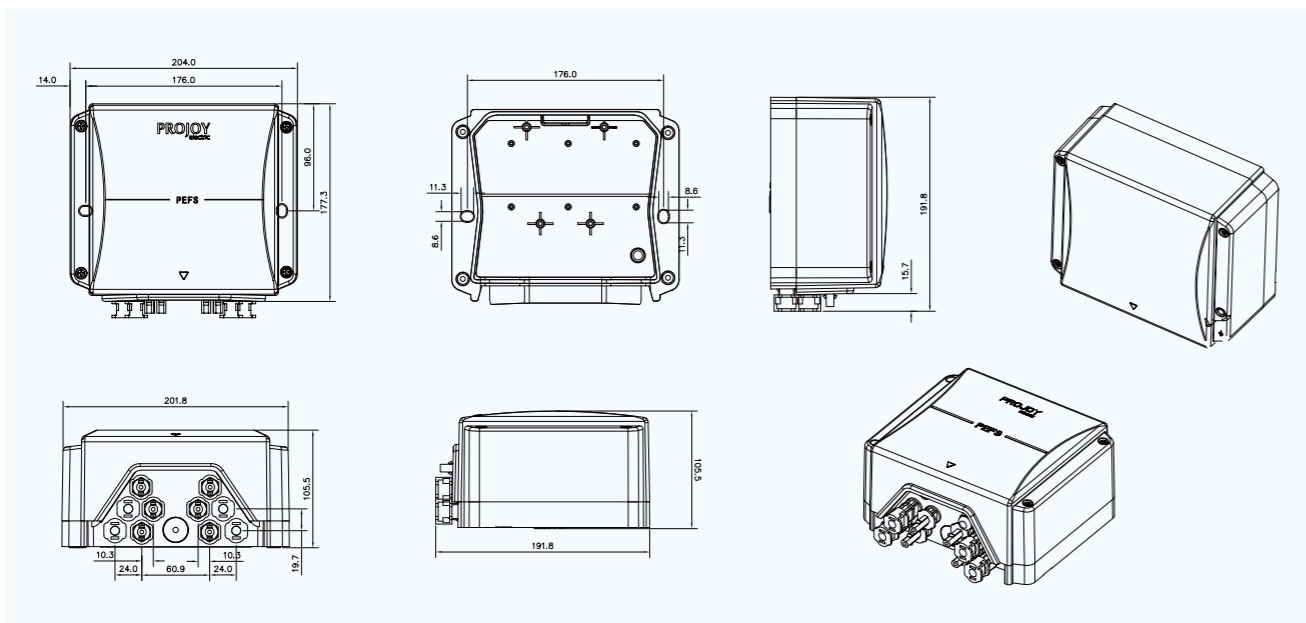


## Dimensions of PEFS

PEFS Series

Dimensions

Unit: mm

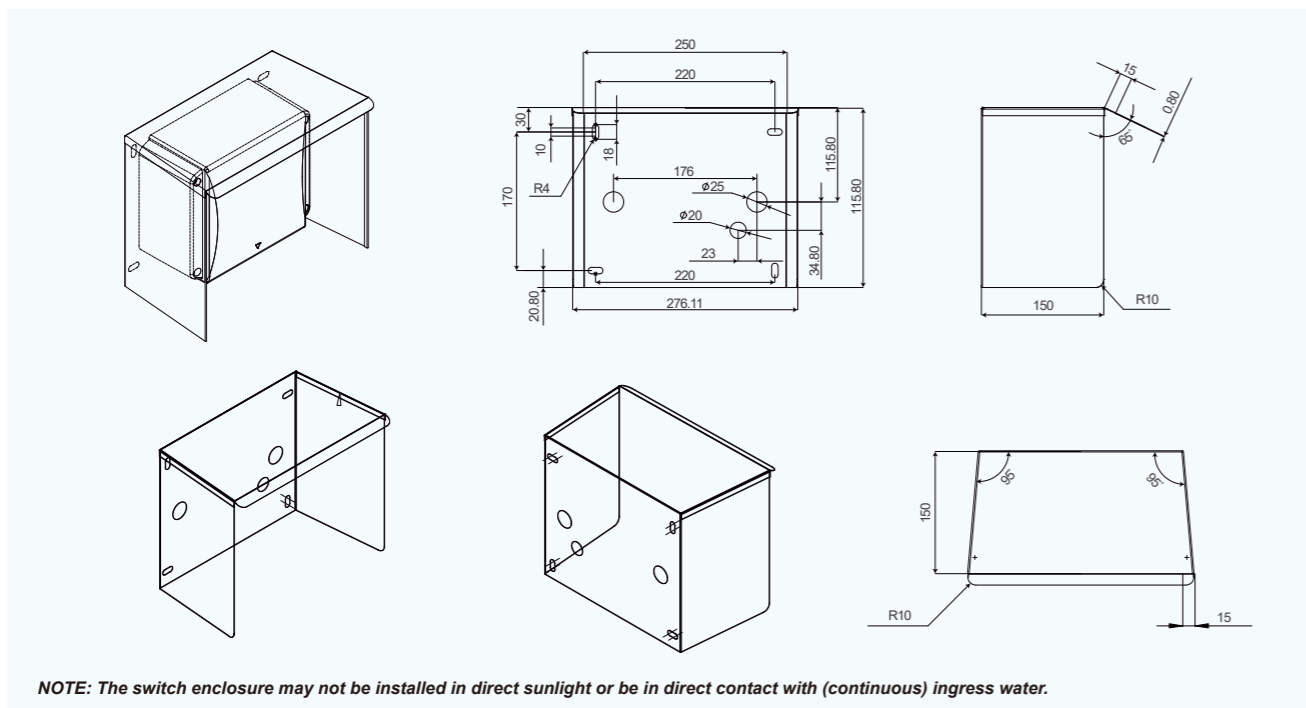


## Dimensions of PEFS

PEFS Series

Dimensions

Unit: mm



NOTE: The switch enclosure may not be installed in direct sunlight or be in direct contact with (continuous) ingress water.

**PROJOY**  
electric  
— Switch To Safety! —

ProJoy Electric Co., Ltd.

2nd Floor, Building 3, No. 2266, Taiyang Road, Xiangcheng District, Suzhou, China  
Tel: +86 512 6878 6489 | Fax: +86 512 6878 6489  
Email: sales@projoy-electric.com | www.projoy-electric.com