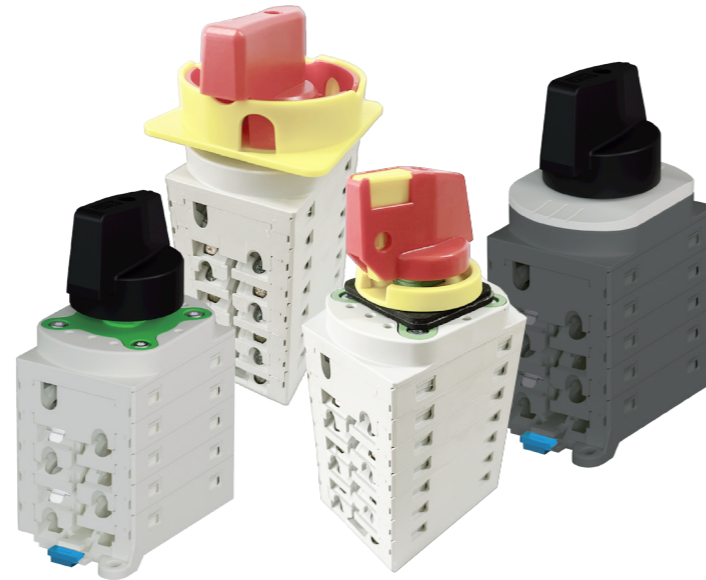


DC Isolator

PEDS16-55 Series (Front Contact)



Small volume



Flame retardant material



Arcing Short



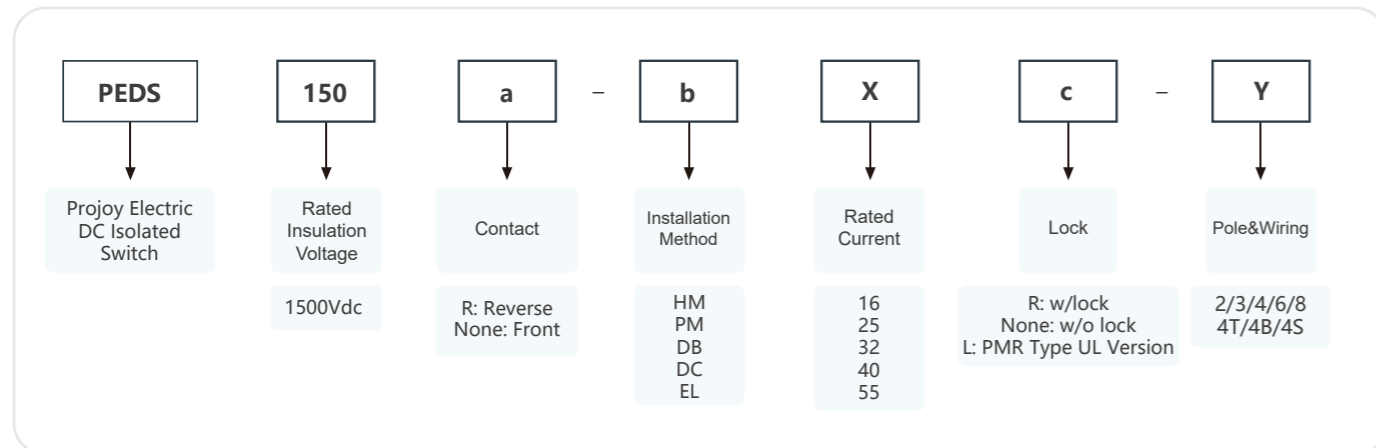
Complete accessories



Multiple wiring



Select Code



Technical Parameter

Model			PEDS-16	PEDS-25	PEDS-32	PEDS-40	PEDS-55	
Rated insulation voltage	Ui	V	1,500					
Rated thermal current	Ith	A	16	25	32	40	55	
Rated impulse withstand voltage	Uimp	V	8,000					
Rated short-time withstand current (1s)	Icw	A	780					
Rated short-circuit making capacity	Icm	A	1,200					
Contact resistance		mΩ	≤3					
Insulation resistance		MΩ	≥50					
Maximum cable cross sections (incl. jumper)								
Solid or standard		mm ²	4-6			4-16		
Torque								
Tightening torque terminal screws M4.		Nm	1.2-1.8					
Tightening torque single hole mounting nut M16		Nm	2.0-2.5					
Tightening torque knob screws M3		Nm	0.5-0.7					
Switching on or off torque		Nm	0.9-1.9					
Knob positions			OFF at 12 hr, ON at 3 hr; (OFF at 9 hr, ON at 12 hr optional)					
Mechanical life			10,000					
Electrical life / Operating frequency			300times / 120times/h					
Number of DC poles			2/3/4/6/8					
Distance of contacts (per pole)		mm	8					
Operation temperature		°C	-40 to +85					
Storage temperature		°C	-40 to +85					
Pollution degree			3					
Overvoltage category			II					
IP rating of shafte and mounting nut			IP66					

Technical Parameter

Utilization category DC-PV1	IEC/EN 60947-3				GB/T 14048.3		Pole	No. of Strings	Part Number
	600V	800V	1000V	1200V	1500V				
16	16	9	6	3	2/3/4/6/8	1/2/2/3/4	PEDS150a-b16c-2/3/4/6/8		
25	22	11	8	4	2/3/4/6/8	1/2/2/3/4	PEDS150a-b25c-2/3/4/6/8		
32	26	13	10	5	2/3/4/6/8	1/2/2/3/4	PEDS150a-b32c-2/3/4/6/8		
40	30	20	15	13	2/3/4/6/8	1/2/2/3/4	PEDS150a-b40c-2/3/4/6/8		
55	45	33	33	18	2/3/4/6/8	1/2/2/3/4	PEDS150a-b55c-2/3/4/6/8		
16	16	16	16	16	4	1	PEDS150a-b16c-4S/4T/4B		
25	25	25	25	20	4	1	PEDS150a-b25c-4S/4T/4B		
32	32	32	32	23	4	1	PEDS150a-b32c-4S/4T/4B		
40	40	40	32	23	4	1	PEDS150a-b40c-4S/4T/4B		
55	55	55	40	32	4	1	PEDS150a-b55c-4S/4T/4B		

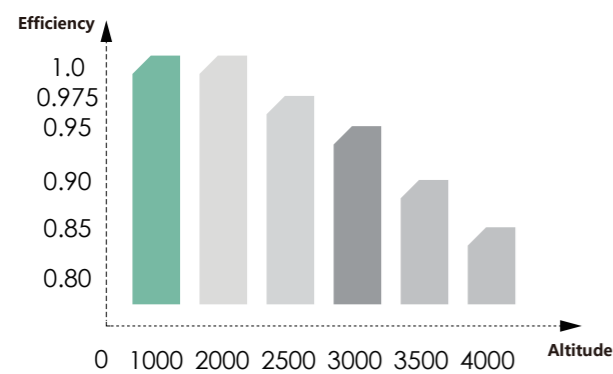
Technical Parameter

Utilization category DC-PV2 IEC/EN 60947-3 GB/T 14048.3						Pole	No. of Strings	Part Number
300V	600V	800V	1000V	1200V	1500V			
16	16	16	6	4	3	2/3/4/6/8	1/2/2/3/4	PEDS150a-b16c-2/3/4/6/8
25	25	20	8	6	4	2/3/4/6/8	1/2/2/3/4	PEDS150a-b25c-2/3/4/6/8
32	32	23	10	8	5	2/3/4/6/8	1/2/2/3/4	PEDS150a-b32c-2/3/4/6/8
40	40	30	20	15	10	2/3/4/6/8	1/2/2/3/4	PEDS150a-b40c-2/3/4/6/8
55	50	40	32	18	10	2/3/4/6/8	1/2/2/3/4	PEDS150a-b55c-2/3/4/6/8

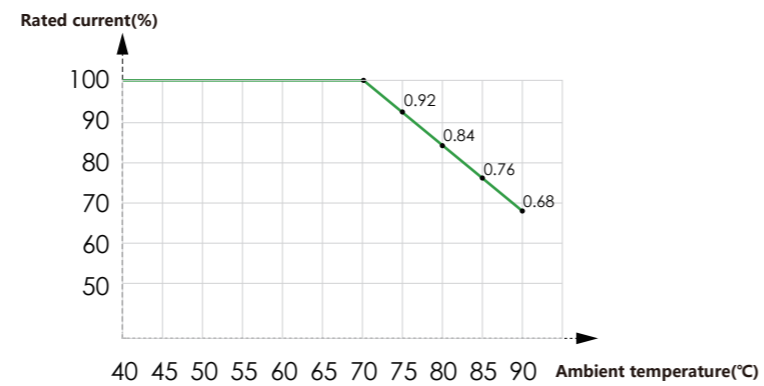
Data according to UL508I			Pole	No. of Strings	Part Number
600V	800V	1000V			
16	16	9	2/3/4/6/8	1/2/2/3/4	PEDS150a-b16c-2/4/6/8
25	20	11	2/3/4/6/8	1/2/2/3/4	PEDS150a-b25c-2/4/6/8
32	23	13	2/3/4/6/8	1/2/2/3/4	PEDS150a-b32c-2/4/6/8
16	16	16	4	1	PEDS150a-b16c-4S
25	25	25	4	1	PEDS150a-b25c-4S
32	32	32	4	1	PEDS150a-b32c-4S

Derating curve

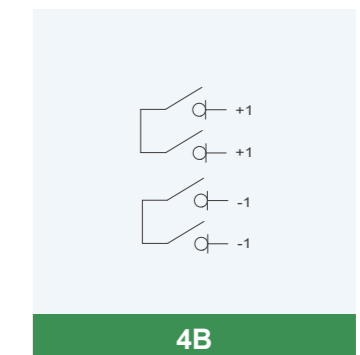
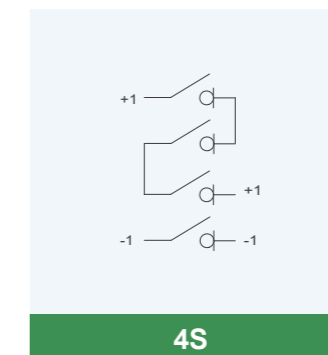
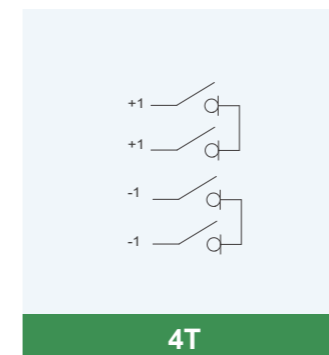
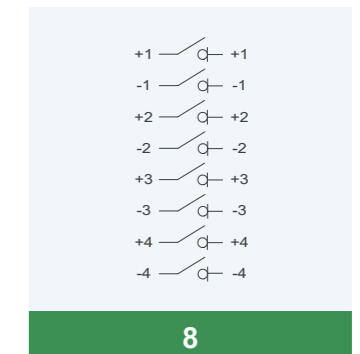
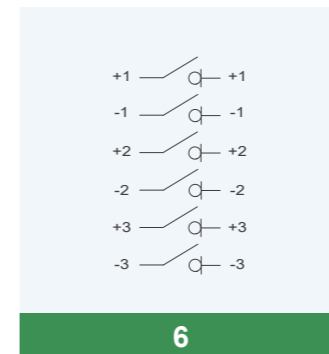
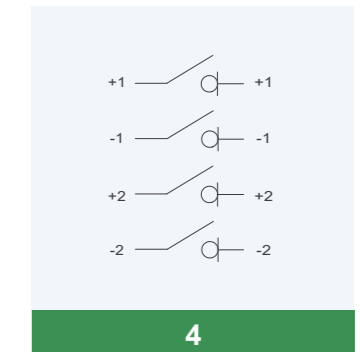
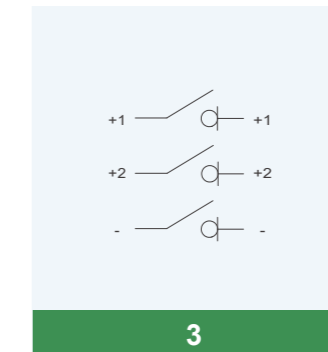
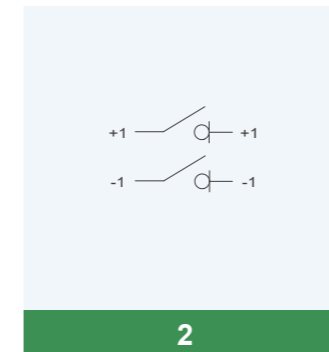
Altitude derating curve



Temperature derating curve



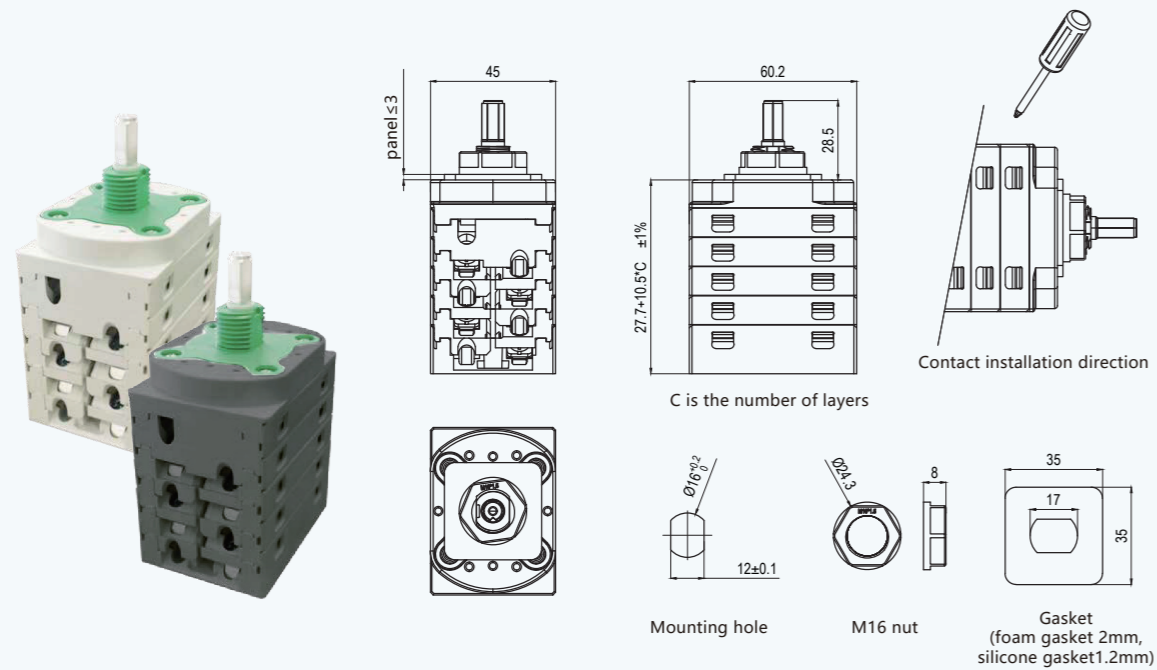
Schematic Diagram



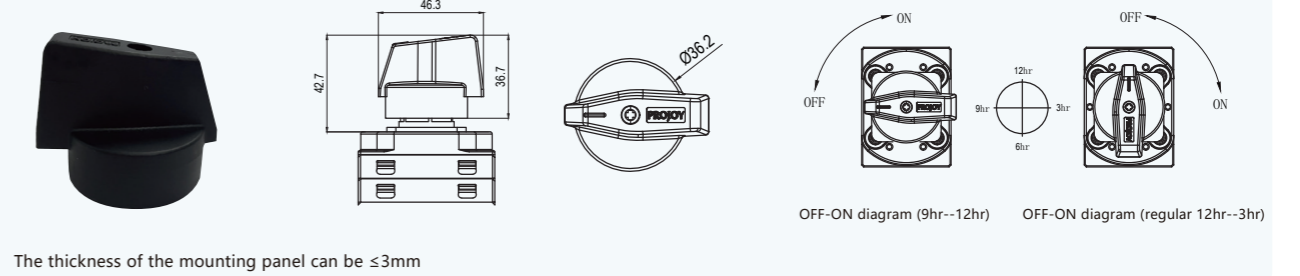
* The bottom floor of DB model is vacant

Dimensions

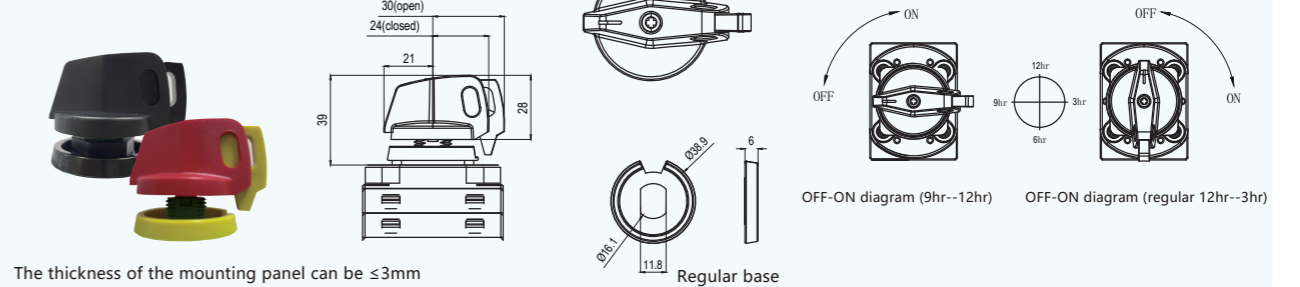
PEDS150 (No-ear)



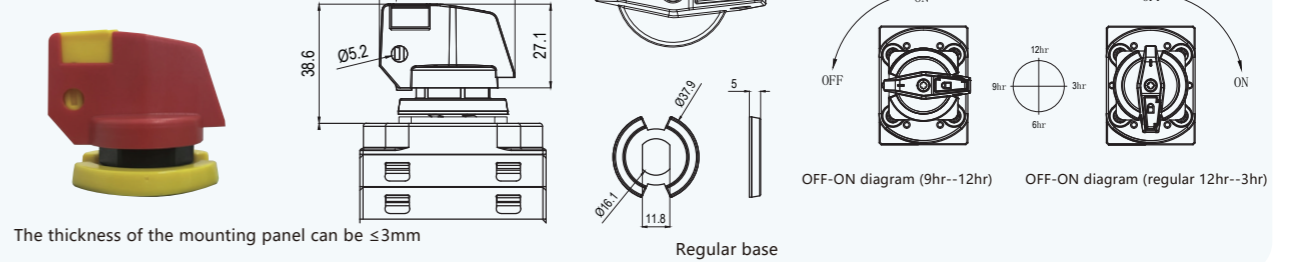
Regular black knob



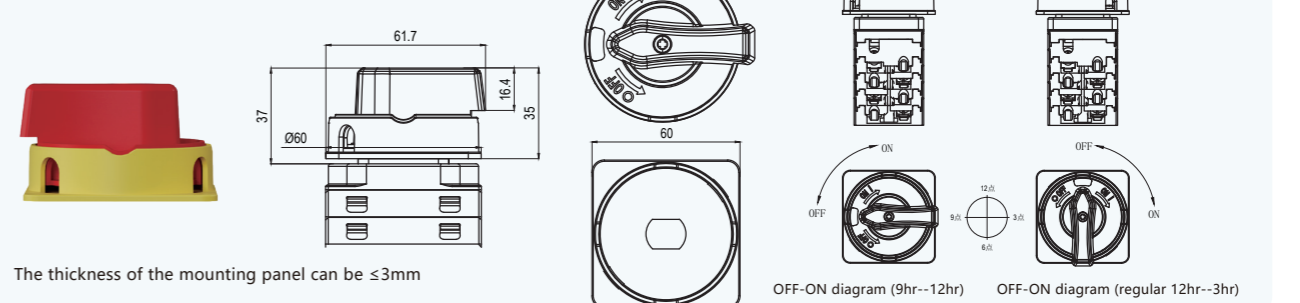
Knob with lock (Horizontal)



Red-yellow knob with lock (Vertical)

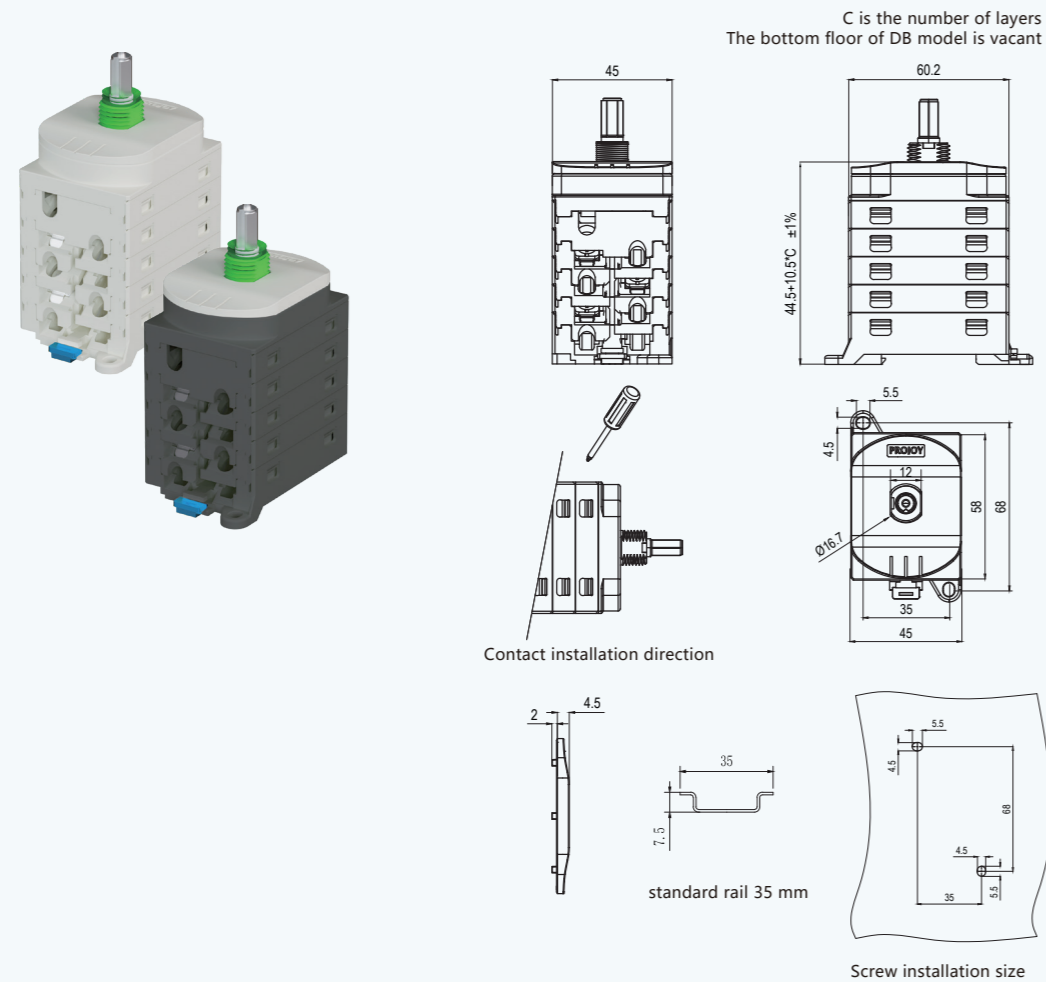


Panel knob with lock

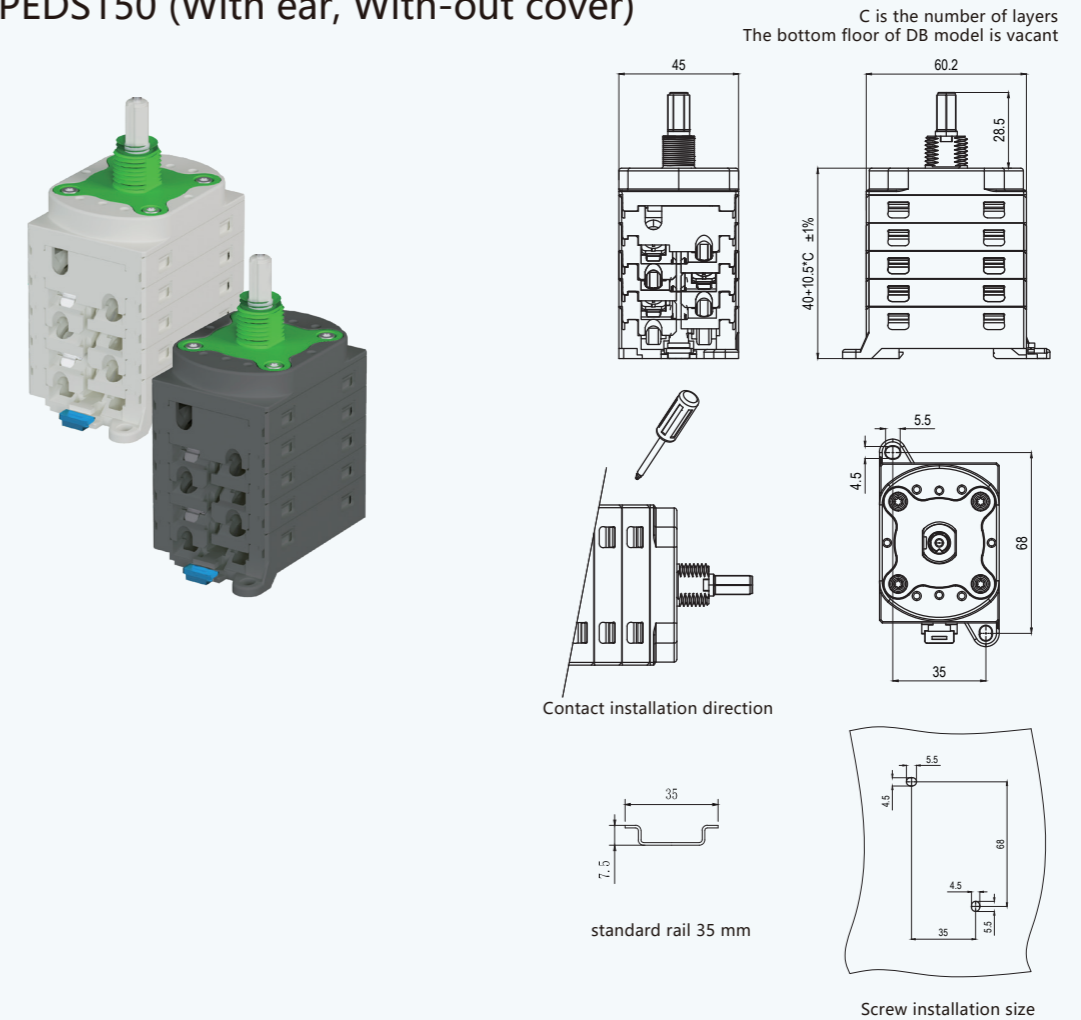


Dimensions

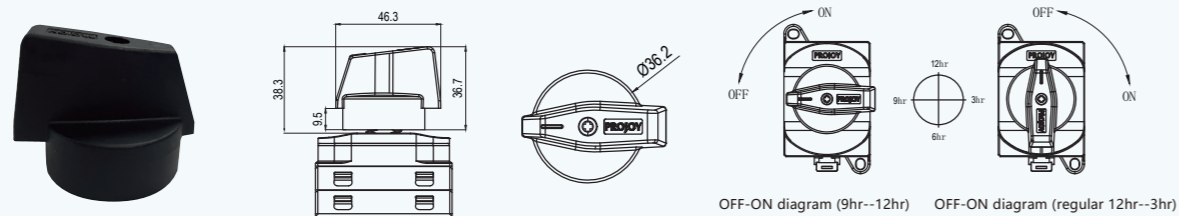
PEDS150 (With ear, With cover)



PEDS150 (With ear, With-out cover)



Regular black knob



Regular black knob

