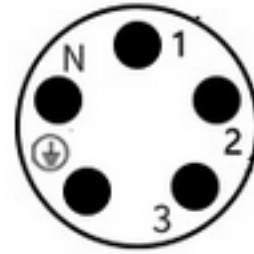


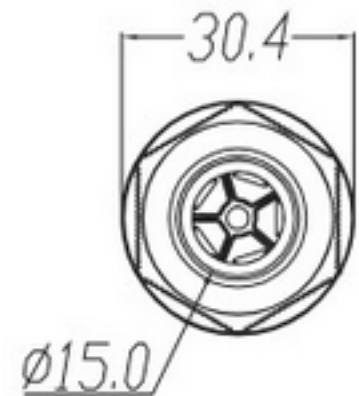
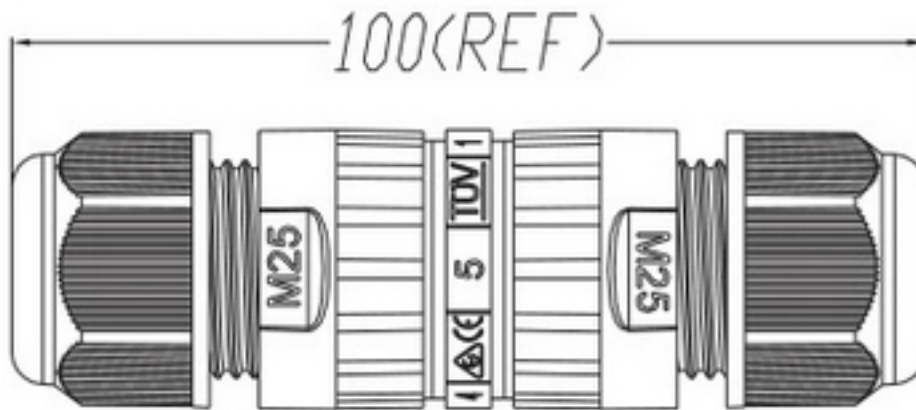
SPECIFICATIONS



4Pin



5Pin



Material:

PA66 Nylon

Certification:

TUV,CE,

Duration of fire resistance:

UL 94V-2

Voltage:

450V AC

Maximum amperage:

24 Amps;0.5-2.5mm²

Cable diameter:

M25:5mm-9mm, 9mm-12mm;10-14mm

Water protection test:

IP68

Color

Black/ OEM Colors