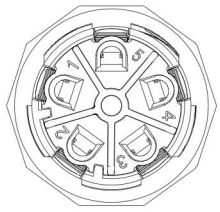
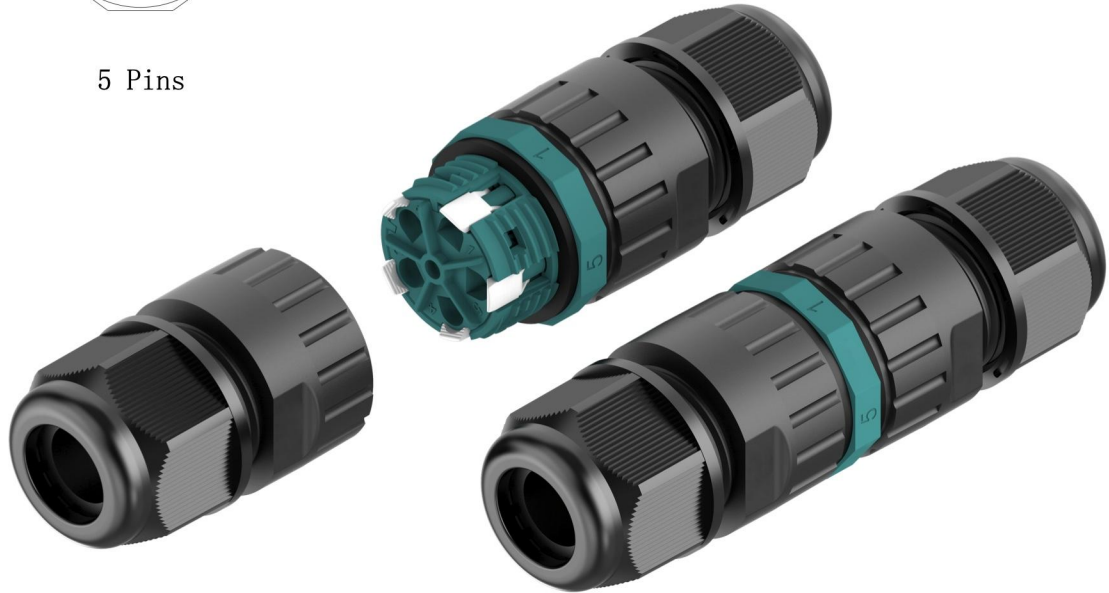


REV	DESCRIPTION	DESIGN	DATE
A0	NEW DRAWING	EDDIE	2022.03.31

Raw Material	PA66、COPPER ALLOY、SILICONE
CERTIFICATION	CQC/UL/TUV/RoHS/CE
Flame-resistant rating	UL94 V-2
Level of protection	IP68
Voltage rating/Current rating	450V / 16A
Withstanding voltage	2500V
Cable gague	0.5mm ² ~2.5mm ²
Operating temperature	-40°C ~+105°C

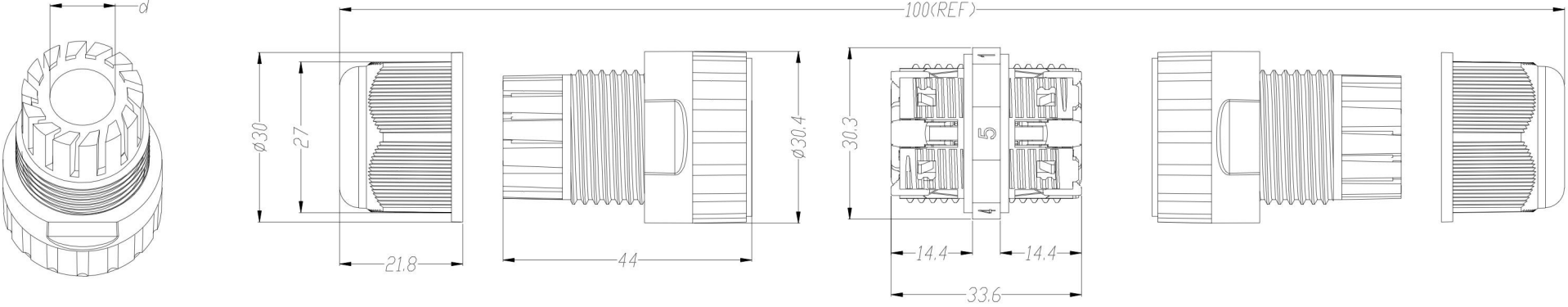


5 Pins



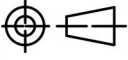
Part Number	Rubbers Diameter (d)	Outer Cable Diameter
EW-P25-05301BB14	∅14.5	∅10-14
EW-P25-05301BB12	∅12	∅9-12
EW-P25-05301BB8	∅8.5	∅5-9

Rubbers Diameter



Weight	MEAS	Each carton number	G. W.
47.3g	42×30×34cm	300 pcs	15kg

TOLERANCE UNSPECIFIED		
X. ±0.35	X.XX ±0.10	X.° ±3°
X.X ±0.20	X.XXX ±0.05	X.X° ±2°
		X.XX° ±1°



UNIT	mm	DRAW	EDDIE / 2022.03.31	PART NO	EW-P25-05301BB##
SCALE	1:1	CHKD		DWG NO	EW-P25-05301BB##
SHEET	1/1	APPD		TITLE	EW-P25-5P WATERPROOF CONNECTOR

