



All our connectors and cables fully comply with the European directives 76/769/EWG, 2003/11/EG, 2000/53/EG, 2003/53/EG and 2002/95/EG (RoHS) and the requirements of REACH Nr. EC1907/2006



RADOX® SOLAR Connectors

RADOX® SOLAR connectors of HUBER+SUHNER consist of a housing and contact element. Lamella contacts made of high quality copper beryllium are responsible for the high current carrying capacity of the connectors.

Without a lamella contact these advantages cannot be achieved. The lamella contact as a flexible element provides mechanical compensation between socket and pin. The lamella produces a large contact surface between the elements and guarantees a low, constant transition resistance.

All RADOX® SOLAR connectors are intercompatible.

General features

- Small dimensions
- Corrosion resistance
- High contact security
- High mechanical endurance (impact resistance)
- Low, constant transition resistance
- High current carrying capacity



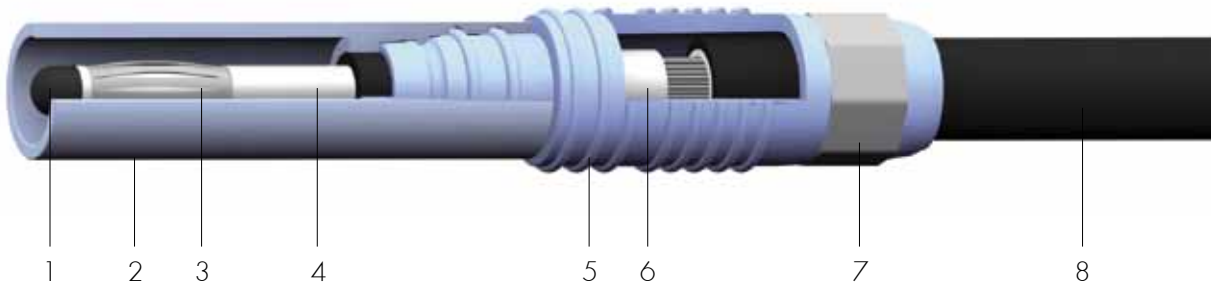
Principle of the RADOX® SOLAR connectors	32
RADOX® SOLAR connector 2.5 mm ² push-pull	33
RADOX® SOLAR connector 4 mm ² push-pull	34
RADOX® SOLAR connector 4 mm ² with integrated twist lock	35
RADOX® SOLAR connector 6 mm ² with integrated twist lock	36
RADOX® SOLAR NEC-lock for twist lock connectors	37



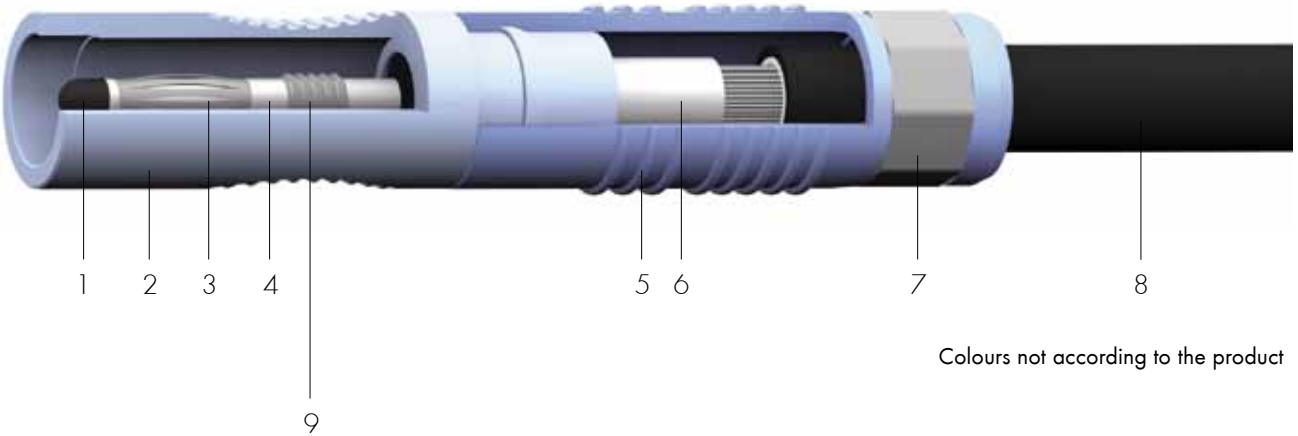
RADOX® SOLAR Connector

Presentation of the contact and construction principle

Connector push-pull



Connector with integrated twist lock



Colours not according to the product

- 1 Protection cap
- 2 Slim plastic connector housing
- 3 Lamella contact
- 4 Solid contact carrier
- 5 Grip hood
- 6 Solid crimp barrel
- 7 Crimp ring
- 8 Cable
- 9 Twist lock providing additional electrical connection



RADOX® SOLAR Connector push-pull 2.5 mm²



- Small profile
- High current carrying capacity
- Constant low transition resistance
- High mechanical resistance
- UV- and ozone-resistant
- Protection mode IP 67
- Easy assembly



Approvals

- EN 50521:2008 (TÜV Rheinland; certificate: R 60034855)

Ordering information	Item no. set
SOLAR connector push-pull 2.5 mm ² male (male plug + grip hood)	12720820 (package unit 250 pcs.)
SOLAR connector push-pull 2.5mm ² female (female plug + grip hood)	12720821 (package unit 250 pcs.)

Technical data

Electrical data	
Current carrying capacity	28 A at +85 °C
Max. system voltage	1000 V/DC
Transition resistance	0.5 mΩ
Protection type	II
Protection mode	IP 67 (TÜV; mated condition)
Physical/mechanical data	
Contact carrier diameter	4 mm
Contact carrier	brass tin-plated
Contact principle	copper beryllium lamella contact
Disengagement force	~ 75 N
Fire resistance	UL 94 - HB (grip hood) / UL 94 - V0 (connector)
Compatible cables	2.5 mm ² RADOX® SOLAR cable, RADOX® SMART, RADOX® SolarLink
Compatible connectors	All available RADOX® SOLAR connectors
Environmental data	
Temperature range	-40 °C to +85 °C
Weathering resistance	DIN ISO 4892-2
RoHS and REACH	compliant
Material data	
Connector	PA6.6
Grip hood	TPE