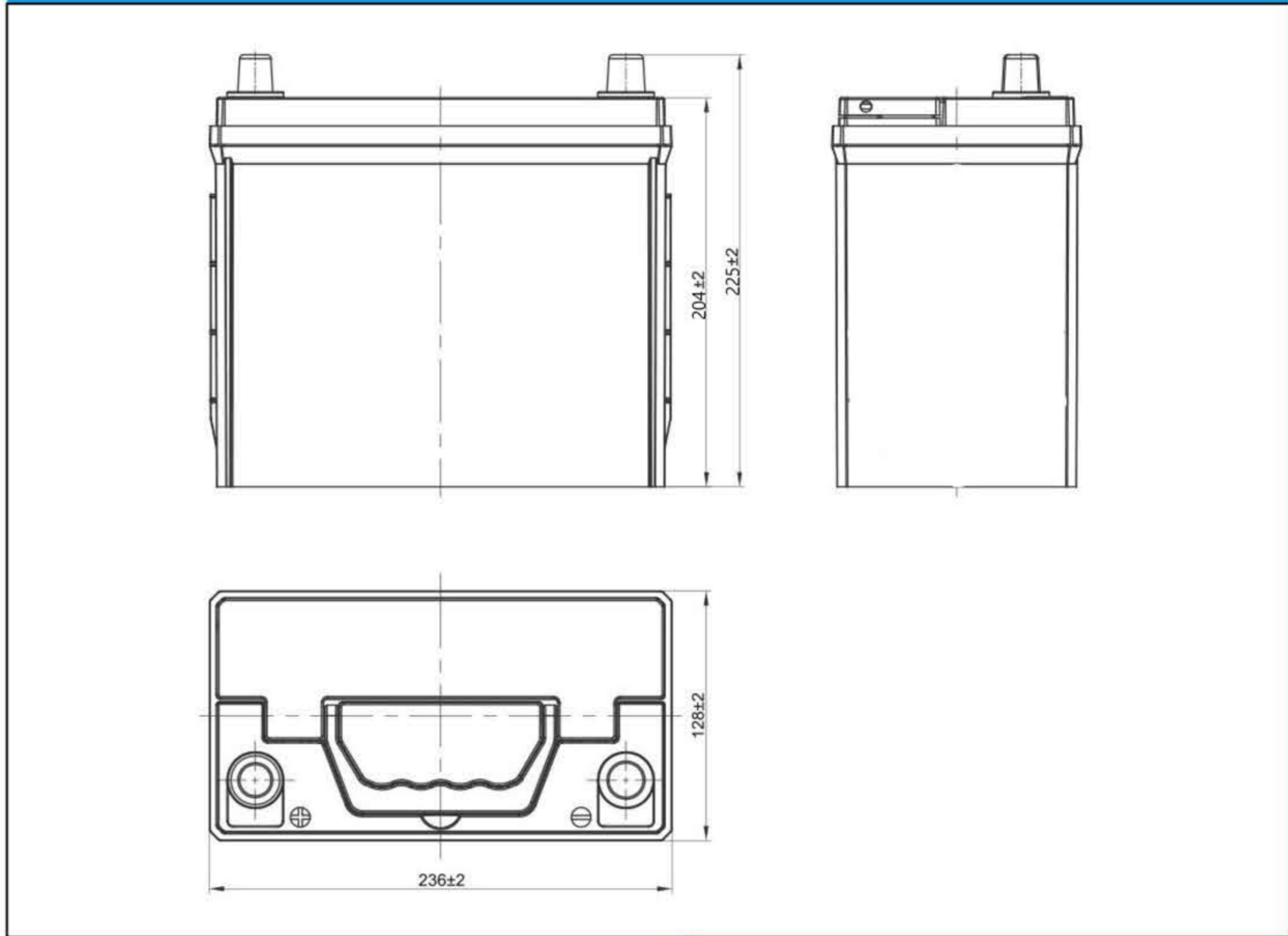


54524[12V45Ah]



Dimensions (mm)



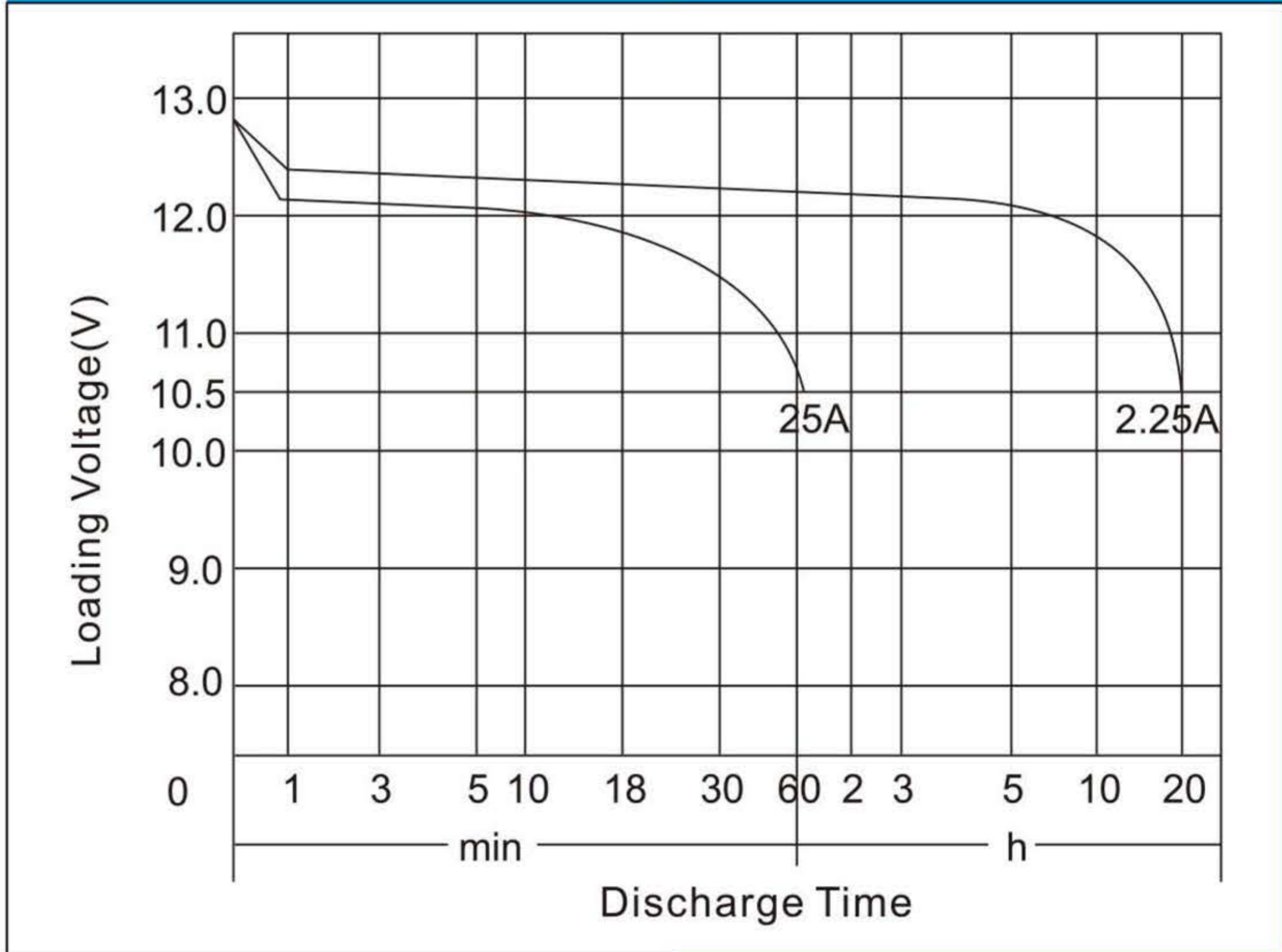
Physical Specification (mm)

Nominal Voltage		12V
Nominal Capacity(20HR)		45Ah
Dimension	Length	236±2mm(9.29inches)
	Width	128±2mm(5.04inches)
	Container Height	204±2mm(7.87inches)
	Total Height(with Terminal)	225±2mm(8.74inches)
Weight		Approx11.7Kg(25.79lbs)
Acid		1.280±0.015g/cm ³ (25°C)
Standard Terminal		1
Cell layout		1
Hold-Down		B0
Cell plate qty		/
Case		Gray-PP Material
Cover		Gray-PP Material
Handle		Gray-PP Material
QTY/PLT/layer		/

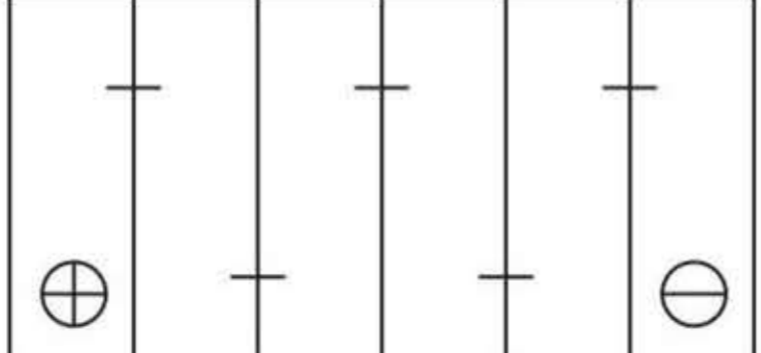
Electrical Specification

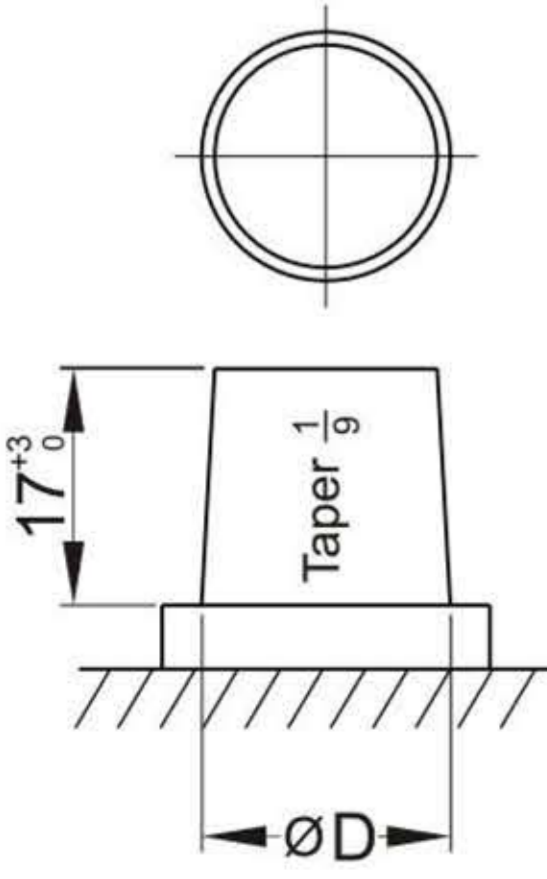
Rated Capacity	20 hour rate(2.25A)	45Ah
Reserve Capacity		70min
Cold Cranking Performance Amps@0°F(-18°C)		400A

Discharge Characteristics(25°C,77°F)



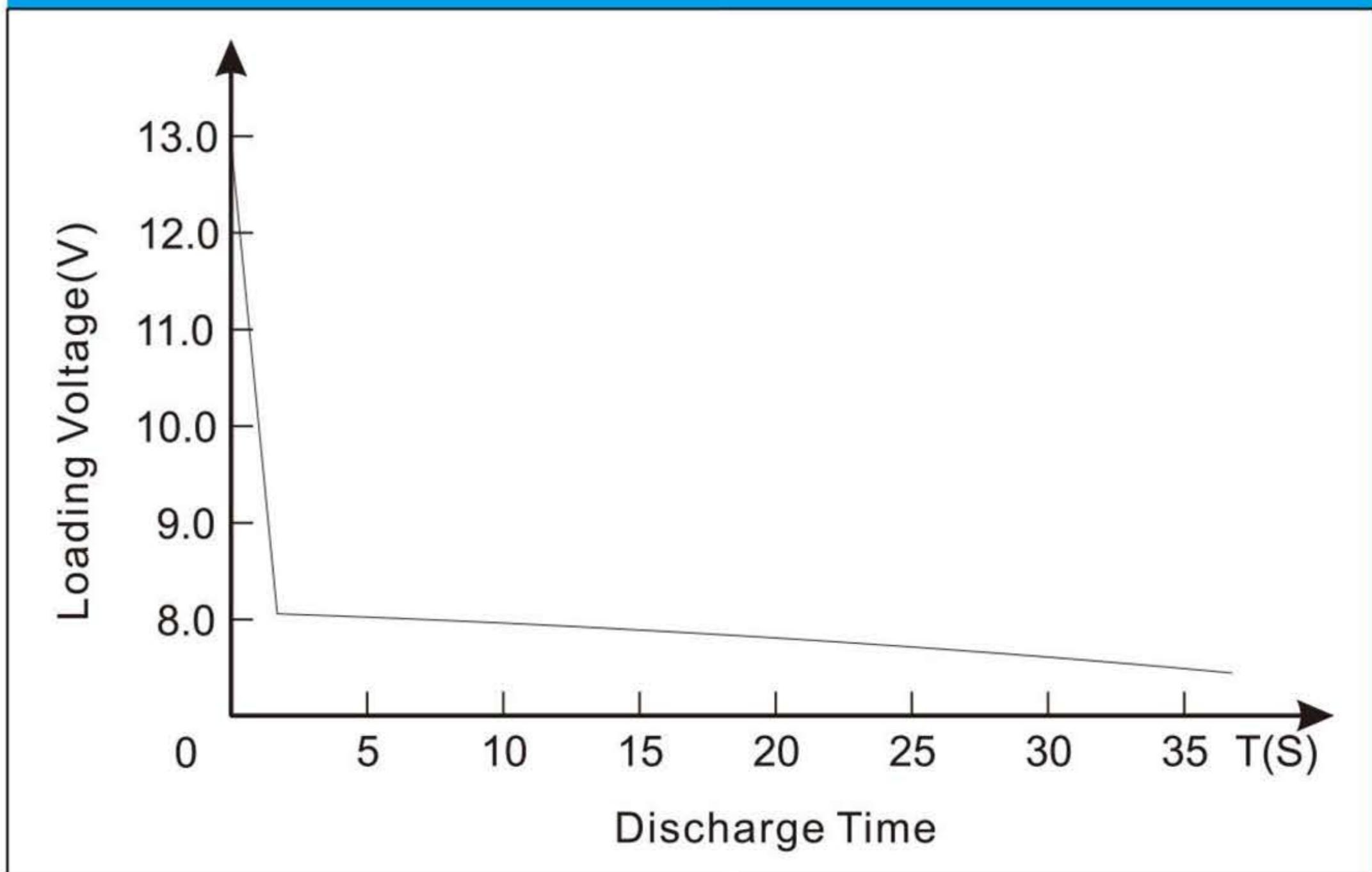
Standard Terminal (mm) Cell Layout

Terminal Type	D		Cell Layout
	Positive	Negative	
1	19.5 ⁰ _{-0.3}	17.9 ⁰ _{-0.3}	



Figure(1)

Discharge Characteristics(-18°C,0°F)



*Values are subject to variation of +/- 5% in normal manufacturing processes.
 *Technical specifications and the product line above could be changed without prior notice.