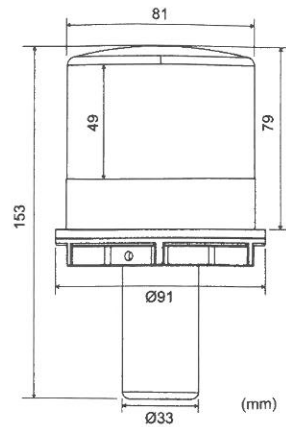
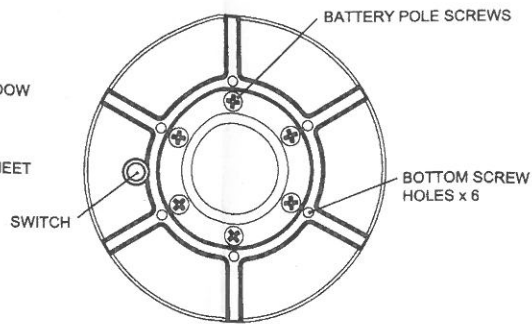
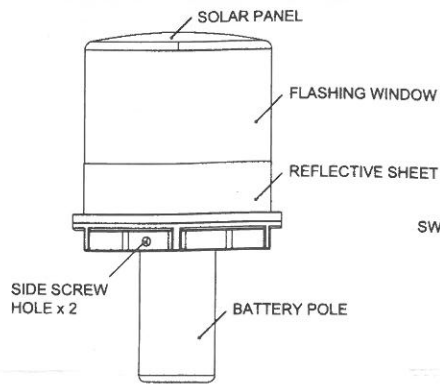


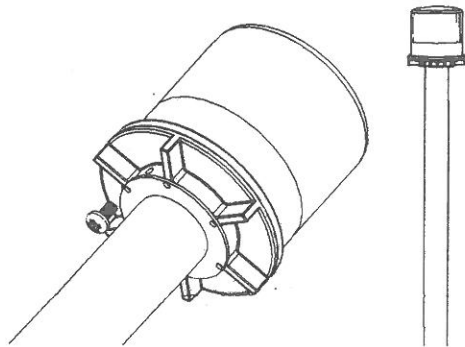
Components & sizes



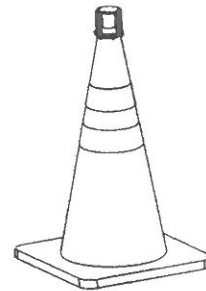
Press switch for on and off

Application

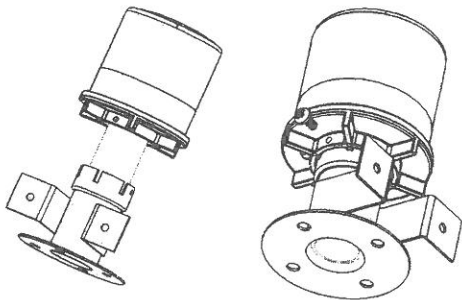
- ① Use 6 bottom screws to mount solar warning light on a metal pole



- ② Mount solar warning light on traffic cone directly



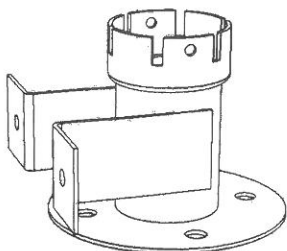
- ③ Mount on the pier, barrier or the wall



Steps:

1. Put solar warning light battery pole into the brace.
2. Use 2 screws on both side screw holes to fasten solar warning light on brace.
3. Use 4 screws on the brace bottom or two screws on the two wings to mount solar warning light on pier, barrier or the wall.

Additional purchased brace



- * Solar warning light needs to charge power under the sun, please prevent installing it under the shade without sunshine.