

Power Key Voltage Protector (Automatic Voltage Switcher)

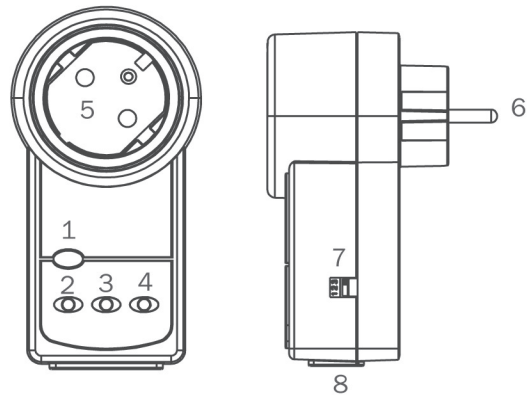


The Power Key voltage protector prevents damage to electrical and electronic equipments from power fluctuations such as long duration over and under voltage levels. When mains power fluctuates exceeding tolerance, the Protector cuts off power to equipments and then monitors the voltage for a short period to ensure that power has stabilized before re-connecting. 15S/30S/3Mins delay reconnection provides protection against power-back surges commonly experienced after resumption of power in a power cut situation. Simply plug the Protector into the mains, plug your device to the Protector, press On/Off switch to "On" position, and then overall protection is activated automatically.

Features

- Microprocessor control guarantees better performance and high speed response
- Built-in delay reconnection 15 seconds, 30 seconds, 3 minutes
- Provide lightning / surge protection
- Provide high / low voltage cut-off protection
- Provide phone line / network surge suppression
- On/Off switch for power saving
- 350 degrees rotation
- Child protector

Front Panel



- 1. Power On / Off Button
- 2. Low Input / 15 Seconds Delay LED
- 3. Normal / 30 Seconds Delay LED
- 4. High Input / 3 Minutes Delay LED
- 5. German Output Socket
- 6. German Input Plug
- 7. Dip Switch to Set 15S/30S/3Min Delay Time
- 8. RJ-45 Ports

Function



Application



MODEL	VP-1173-10A
INPUT	
Nominal Voltage	230Vac
Voltage Range	180-268Vac for 230Vac System
Frequency	50/60Hz (auto-sensing)
Plug	German*1pc (On the rear)
OUTPUT	
Voltage	Same as input
Frequency	Same as input
Outlet	German*1pc
PROTECTION	
Power Line Surge Energy Rating	900 Joules
Delay Reconnection	15 seconds / 30 seconds / 3 minutes
Tel./Fax/Modem/DSL port	RJ-45/11
High / Low Voltage Cut-off	YES
ENVIRONMENT	
Humidity	0-95% (Non-condensing)
Operating Temperature	0-40°C (32°F-104°F)
PHYSICAL	
Dimension	120*60*90mm
Net Weight	150g

*Product specifications are subject to change without further notice.

350 Degrees Rotation



Sied Panel

